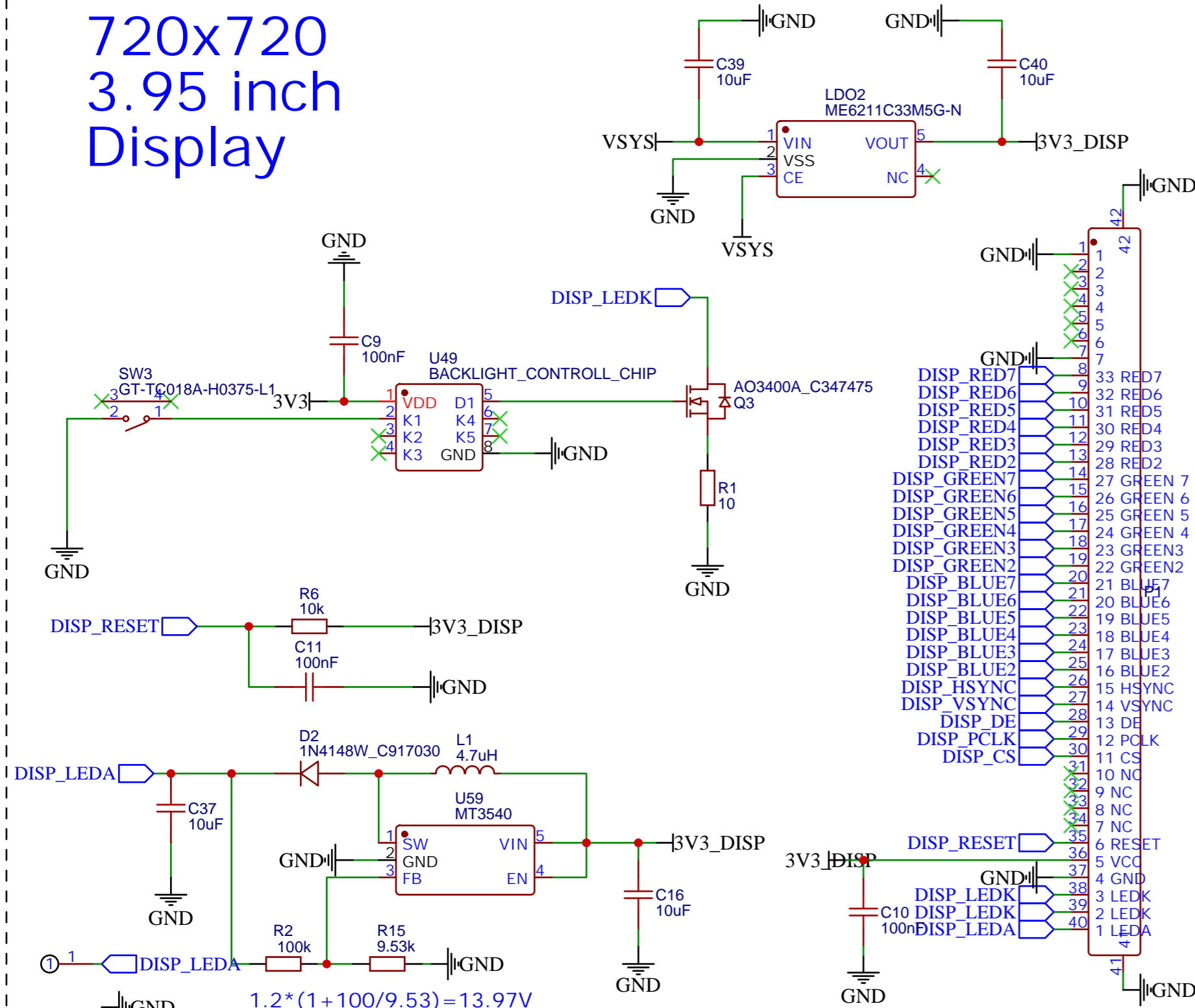
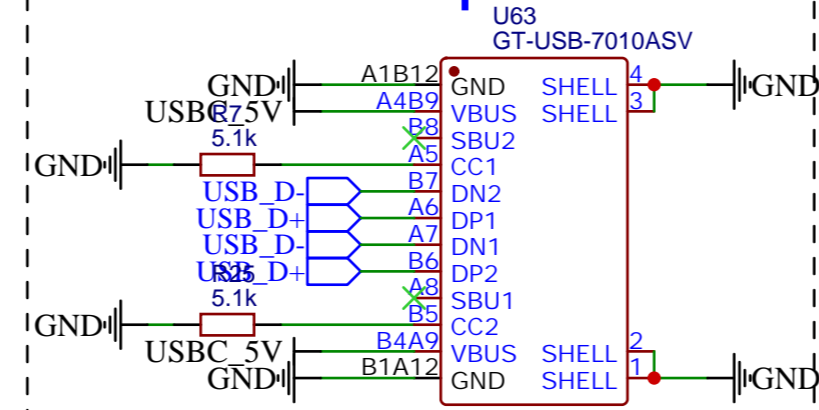


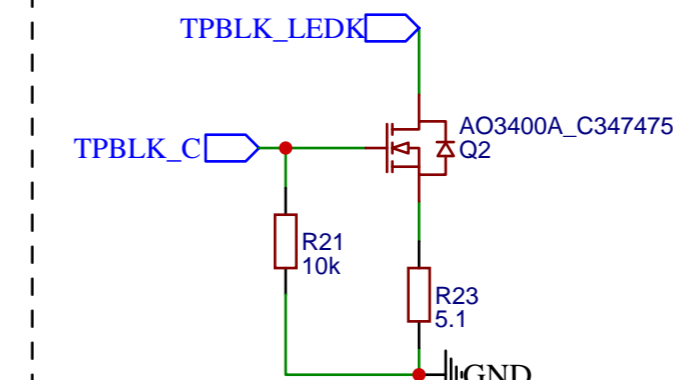
720x720 3.95 inch Display



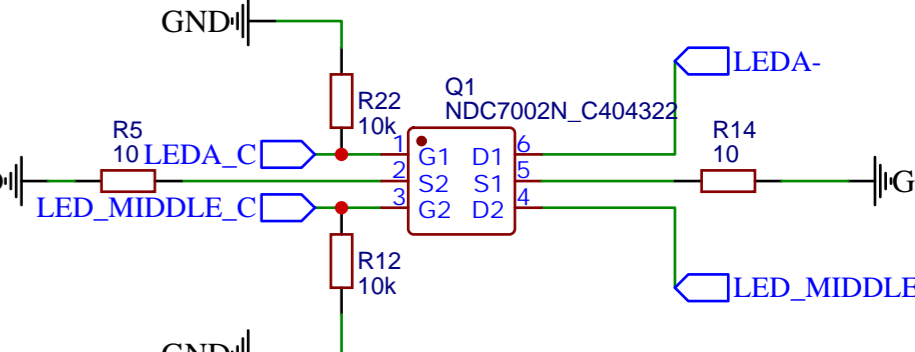
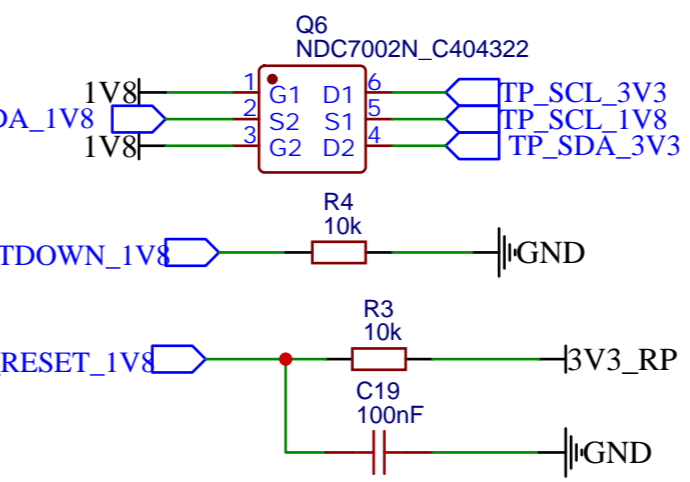
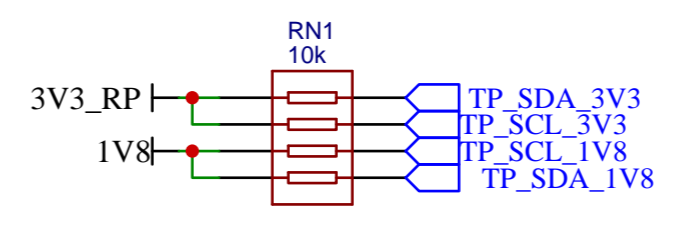
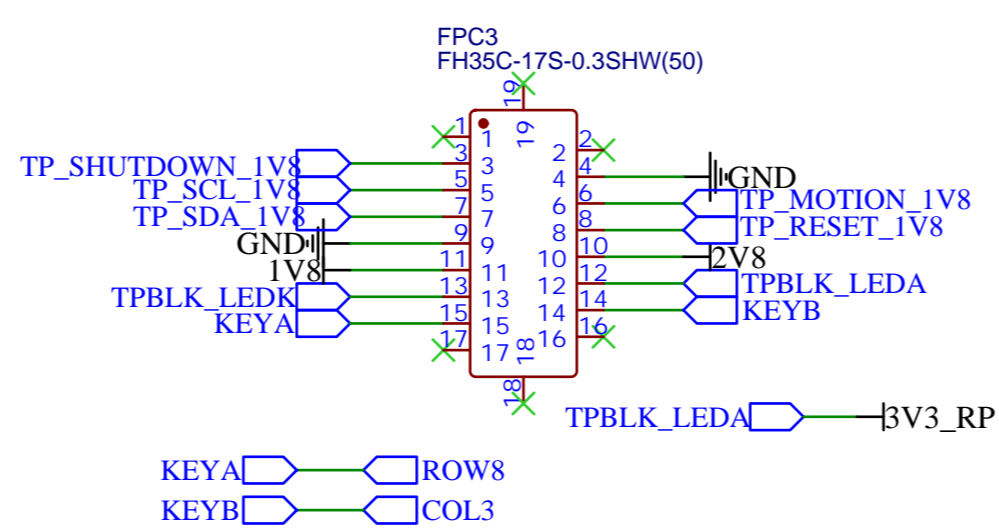
USB-C port



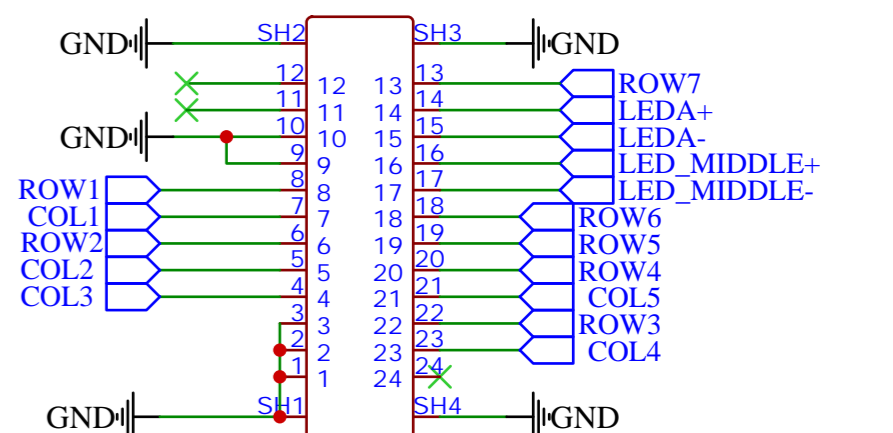
BACKLIGHT



TRACKPAD



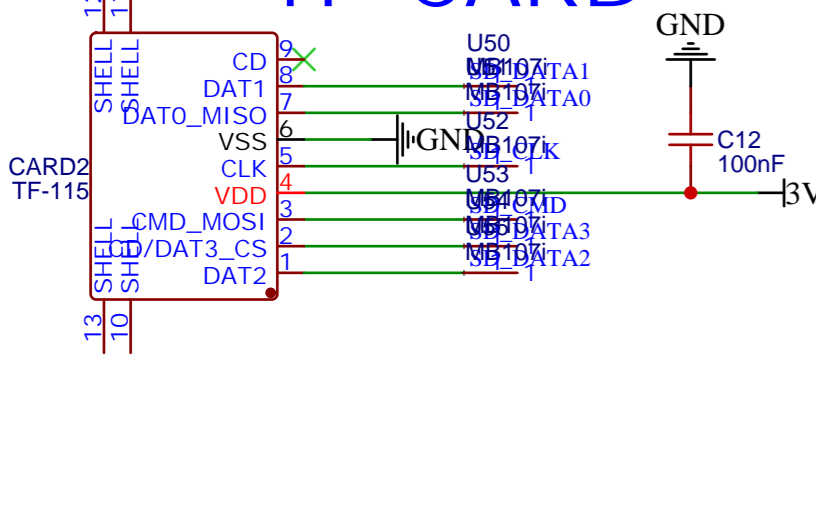
KBG BACKLIGHT



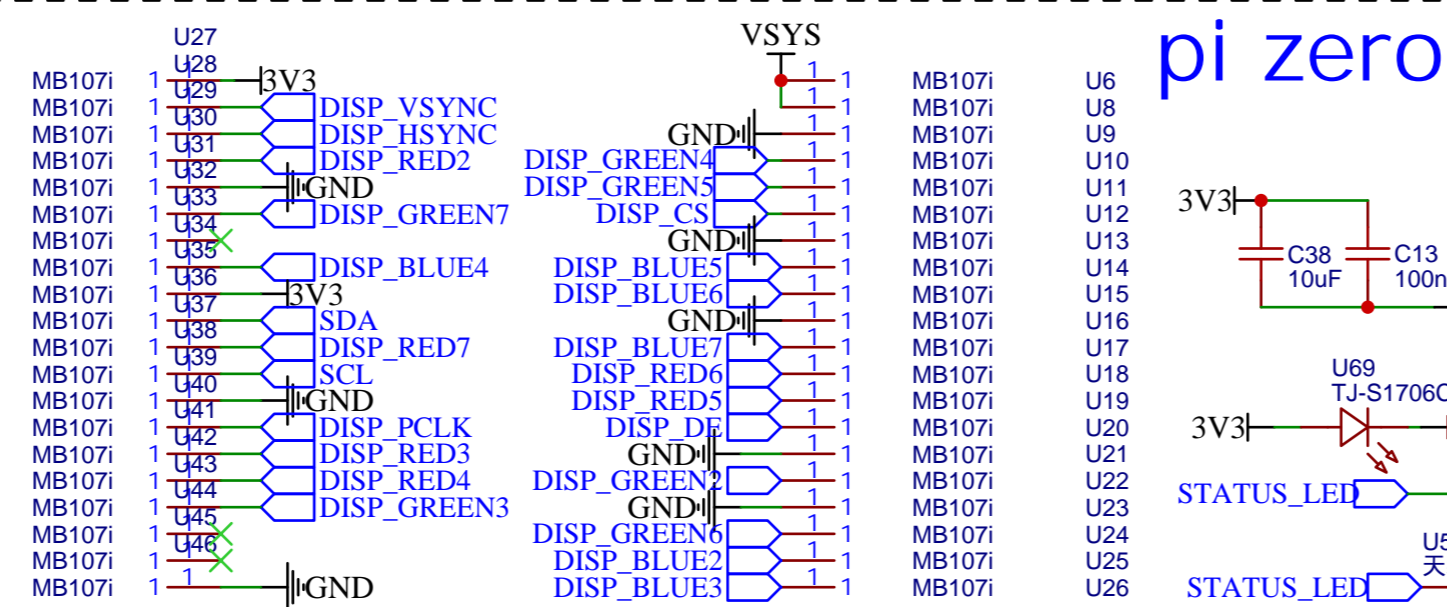
KBDBTB



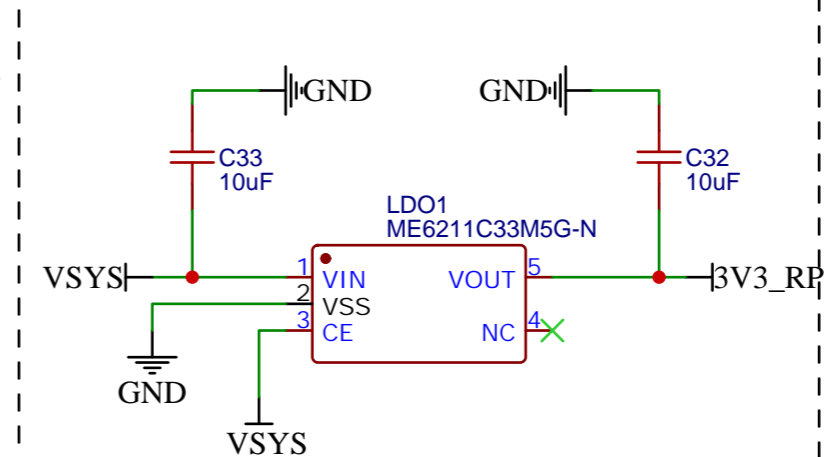
TF-CARD



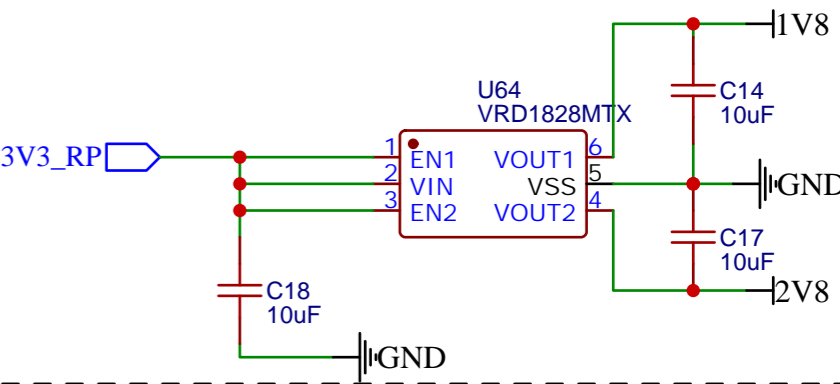
pi zero



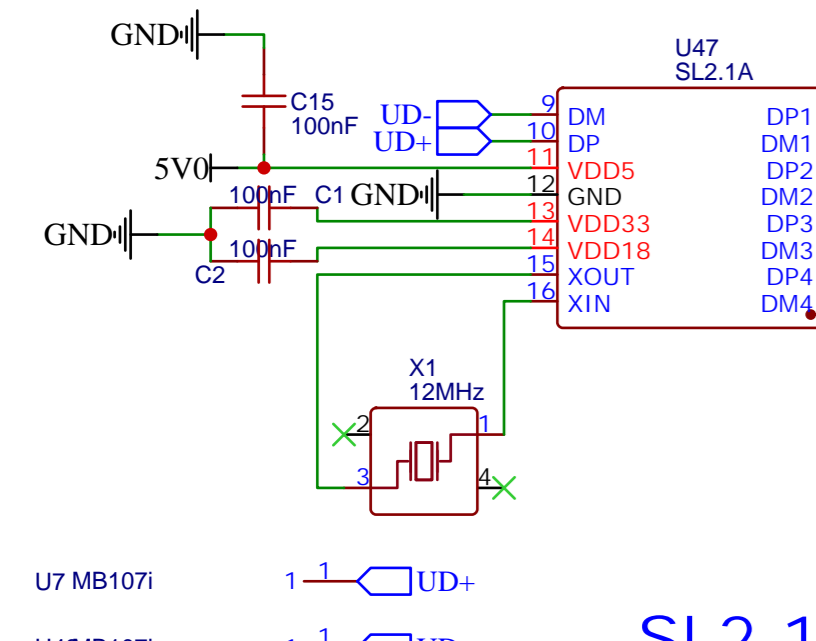
5V -> 3.3V LDO



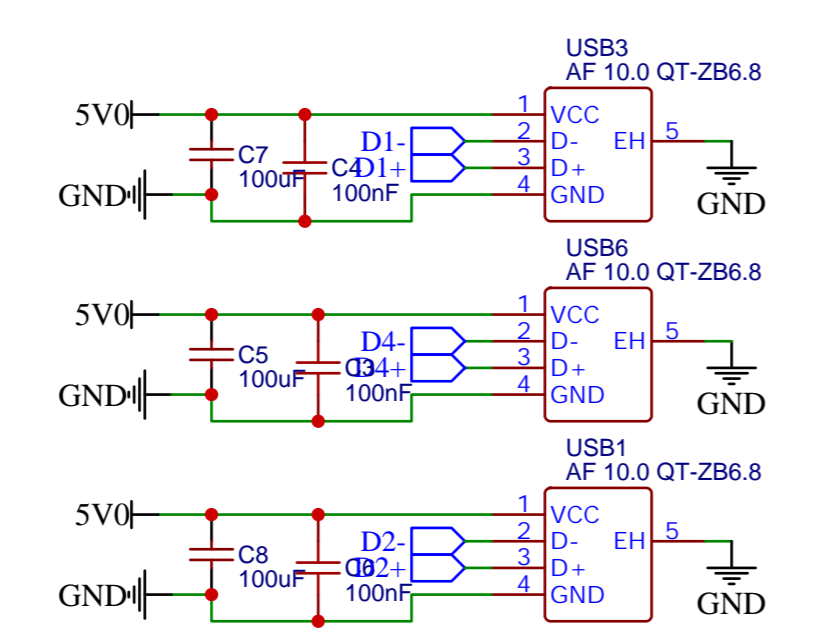
1.8V_2.8V LDO



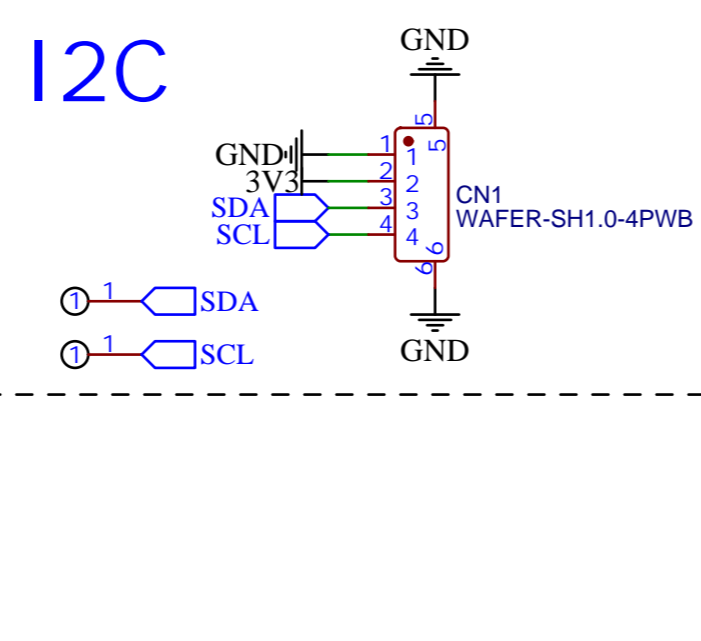
SL2.1



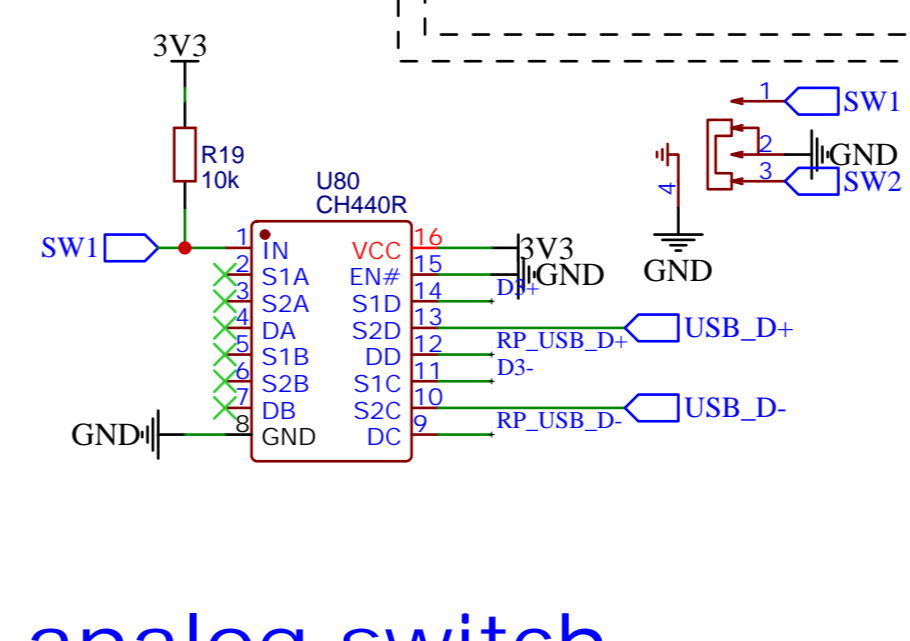
USB2.0 port



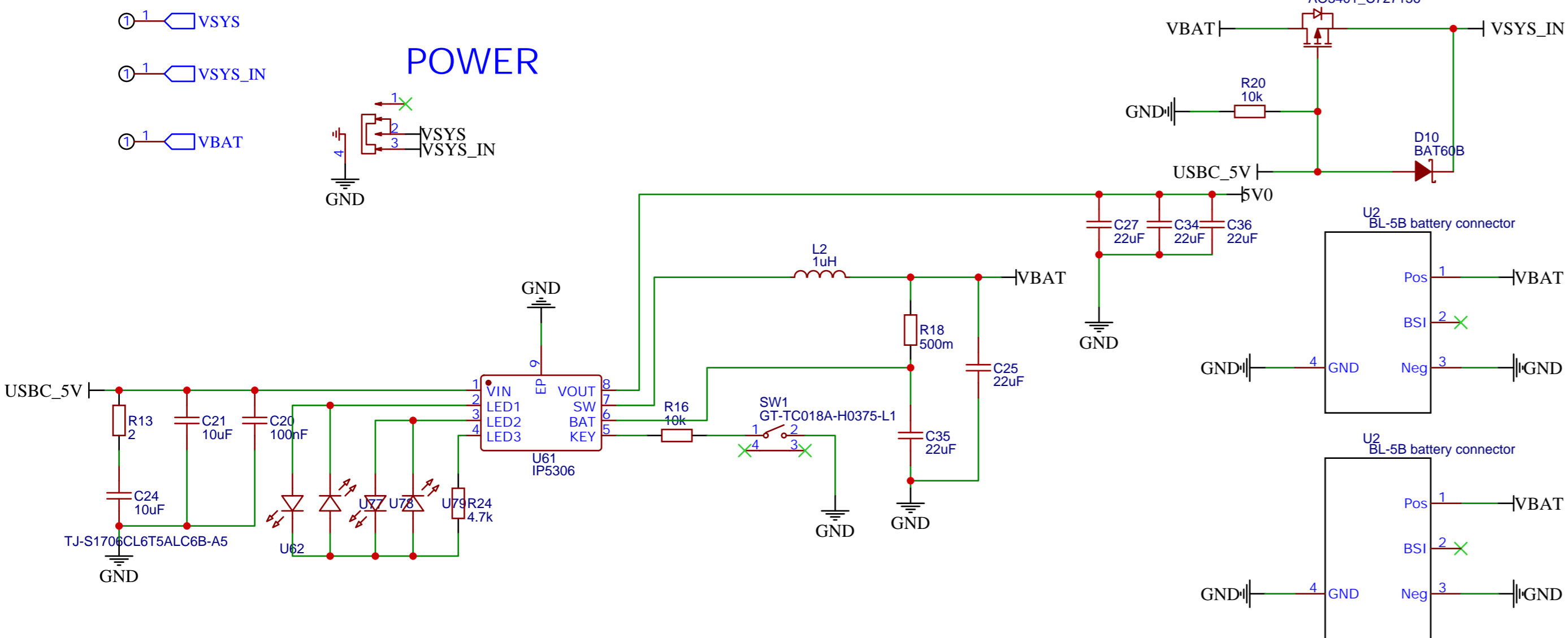
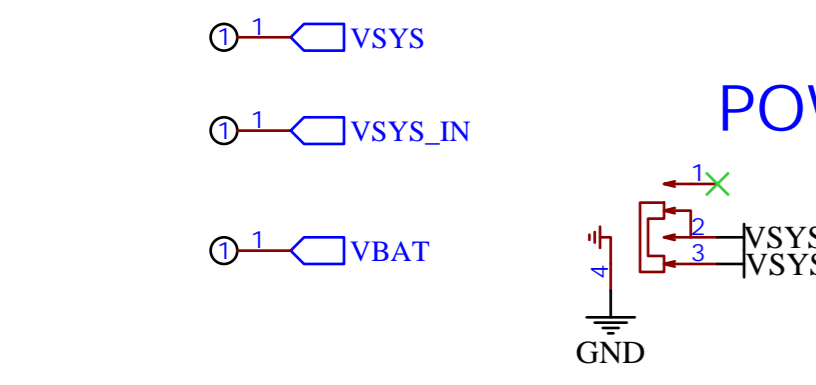
I2C



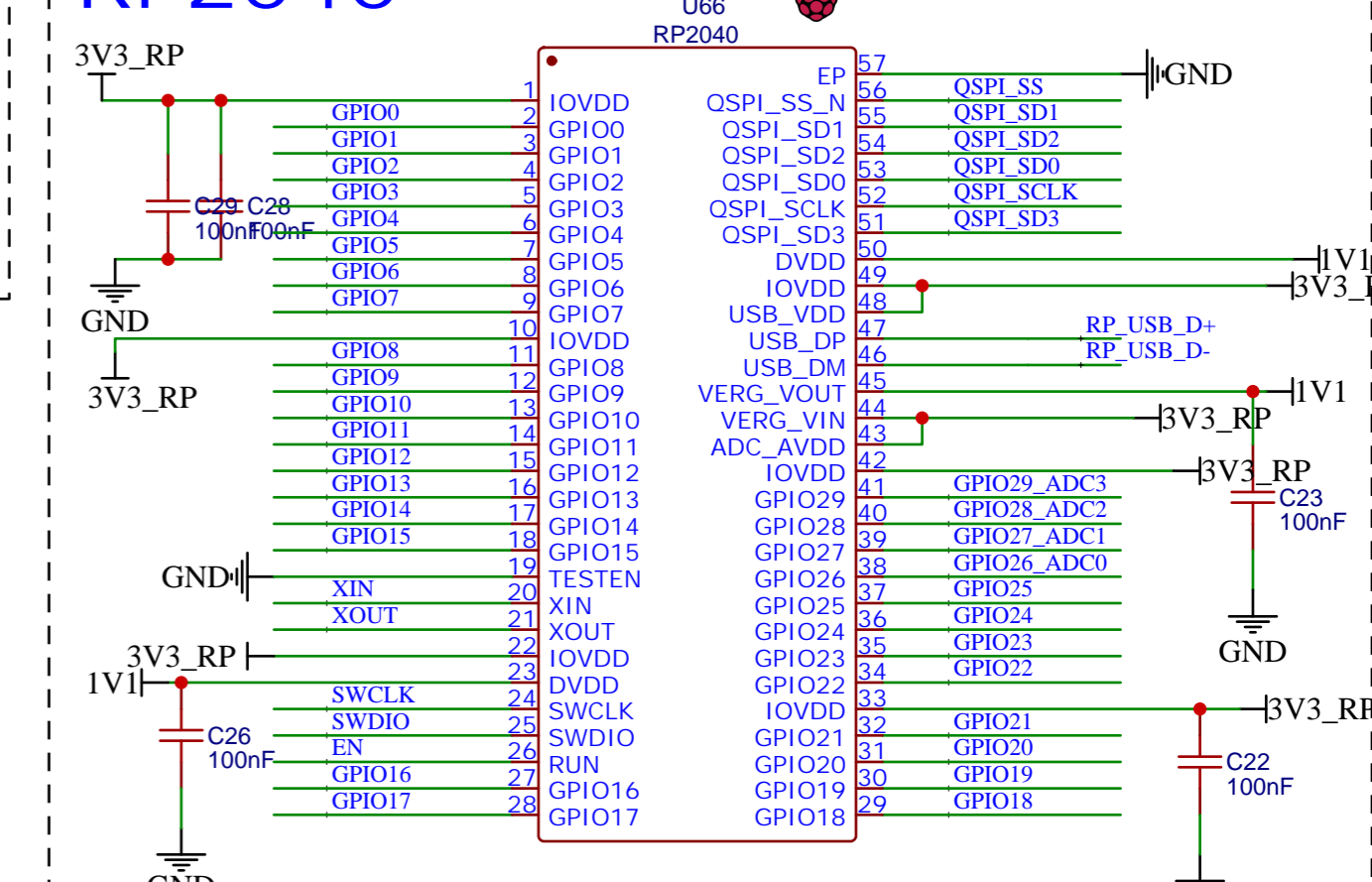
analog switch



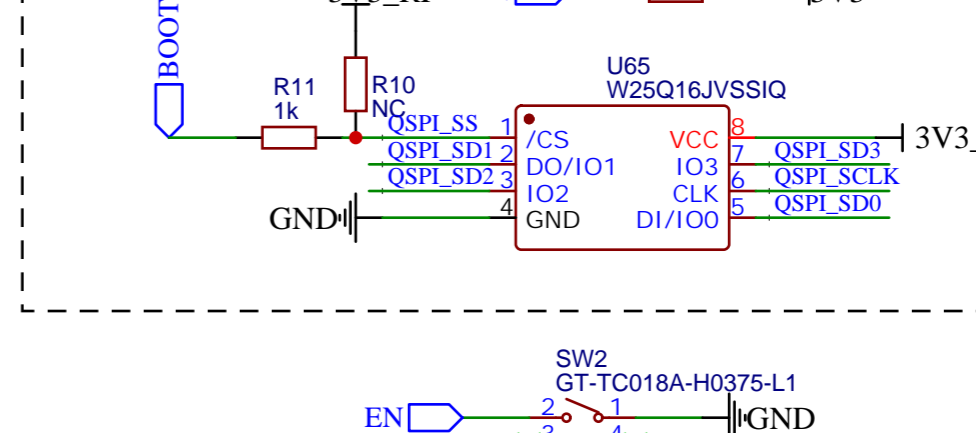
POWER



RP2040



ROM



XTAL

